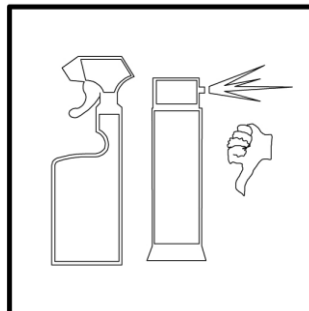
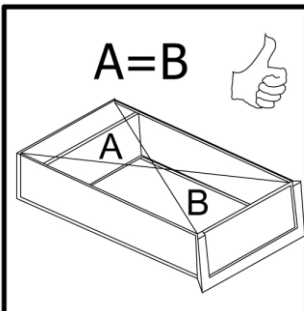
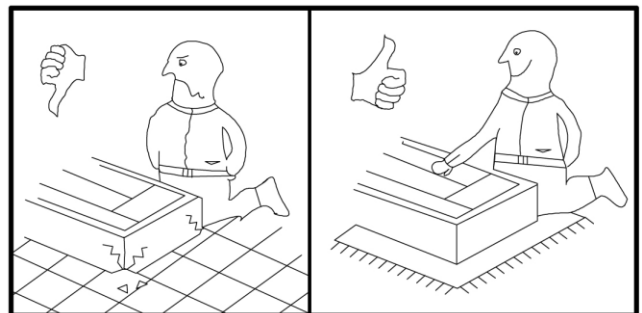
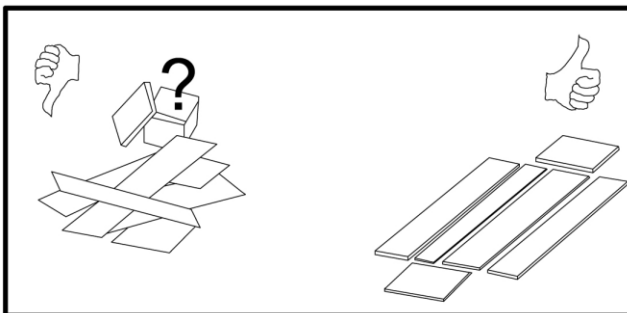
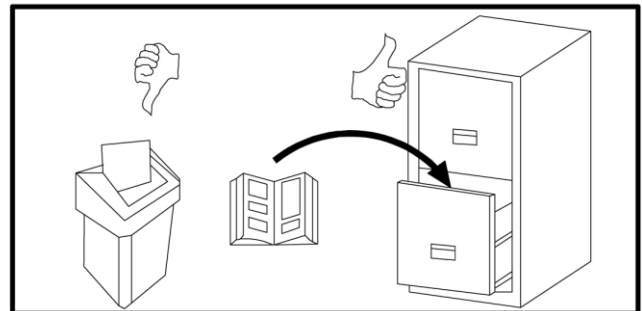
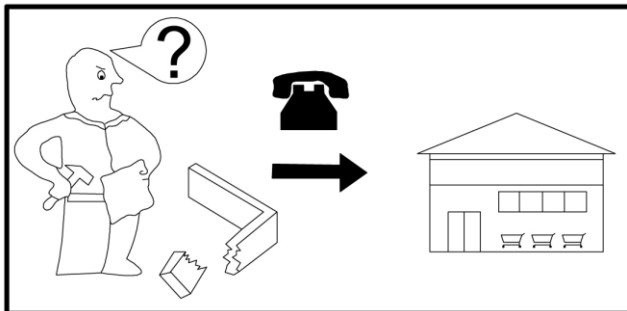
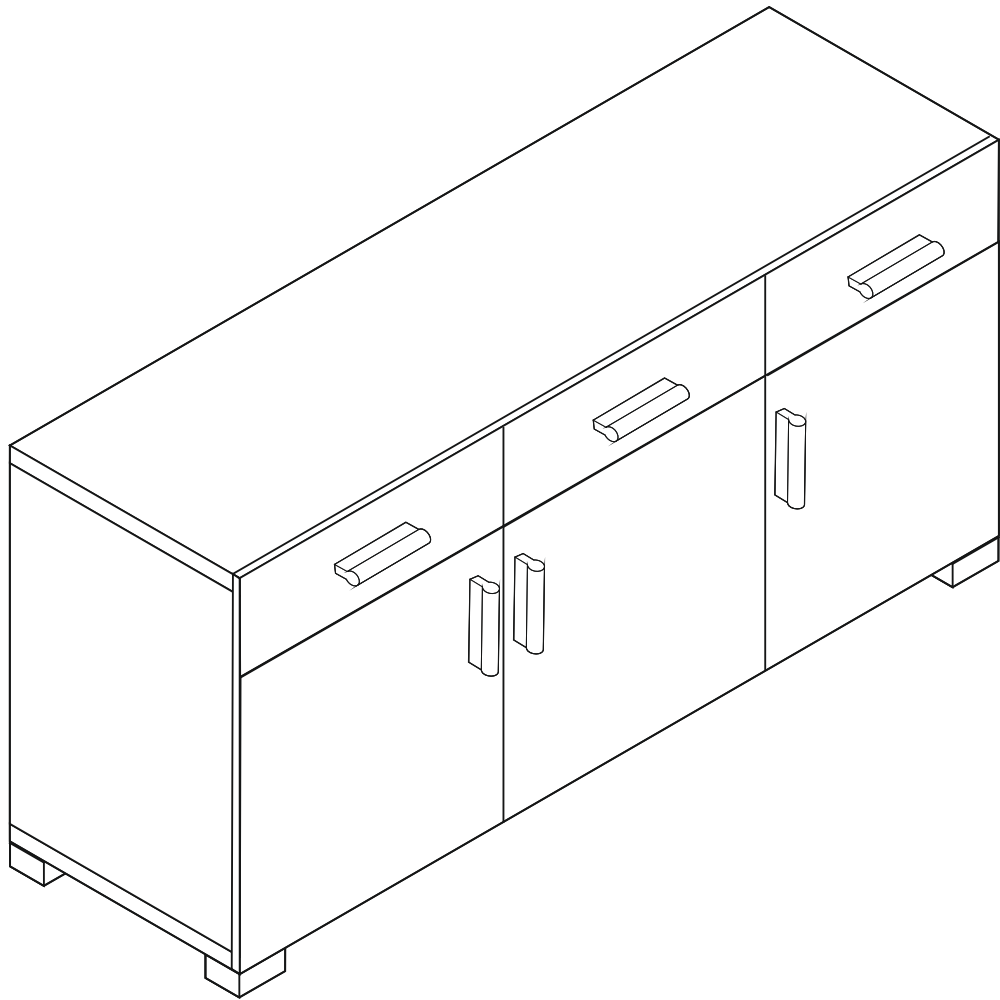
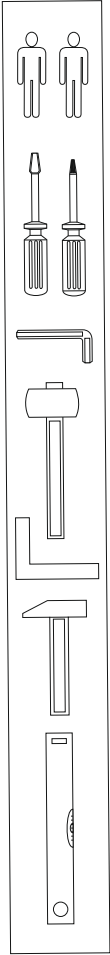



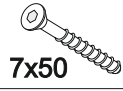

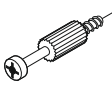


ENRIQUE SIDEBOARD

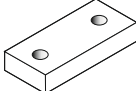

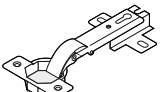

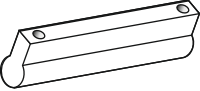




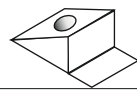



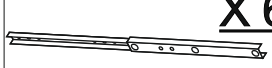
- (D)** Montageanleitung
- (NL)** Handleiding voor de montage
- (TR)** Montaj talimatı
- (FR)** Instructions de montage
- (CZ)** Montážní návod
- (HU)** Összeszerelési útmutató
- (GB)** Assembly instructions
- (PL)** Instrukcja montażu
- (RU)** Инструкция по монтажу
- (IT)** Istruzioni di montaggio
- (RO)** Instrucțiuni de asamblare
- (SK)** Montážny návod

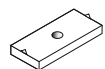
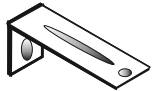
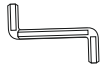

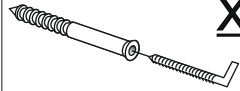
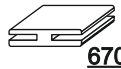




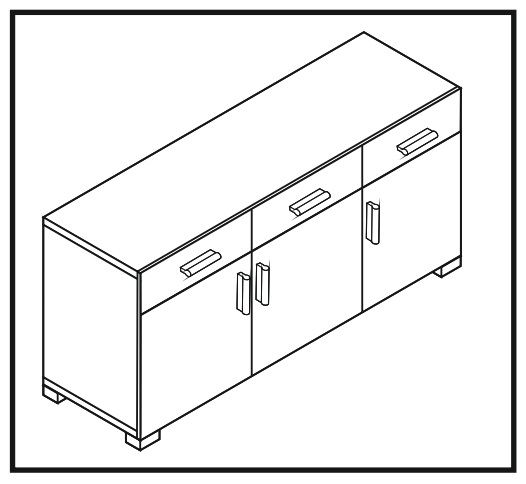
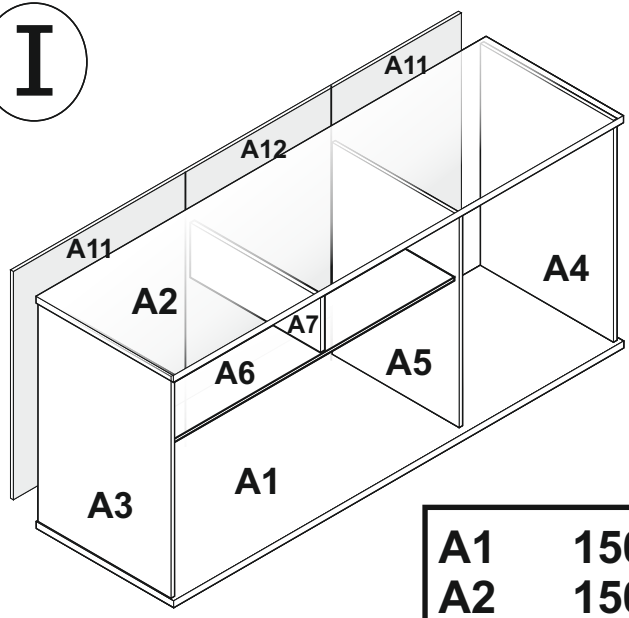
| | | |
|-----|---|-------------|
| 1 |  8x35 | <u>X 14</u> |
| 22 |  7x50 | <u>X 20</u> |
| 22A |  | <u>X 20</u> |
| 2 |  | <u>X 16</u> |
| 9 |  | <u>X 10</u> |
| 9A |  | <u>X 10</u> |

| | | |
|-----|--|------------|
| 10 |  | <u>X 5</u> |
| 13 |  | <u>X 8</u> |
| 5 |  | <u>X 4</u> |
| 25 |  M 4 X 9 | <u>X 6</u> |
| 3 |  | <u>X 6</u> |
| 29P |  | <u>x 2</u> |

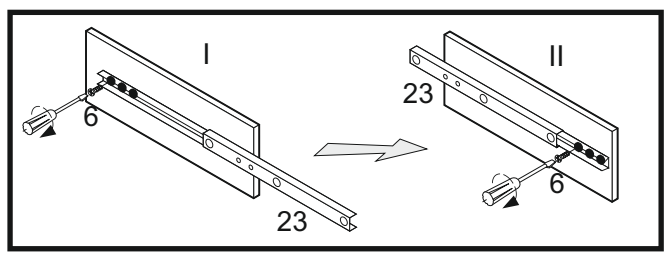
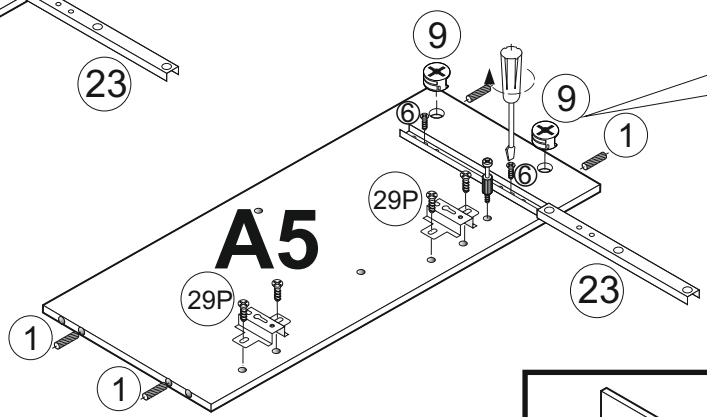
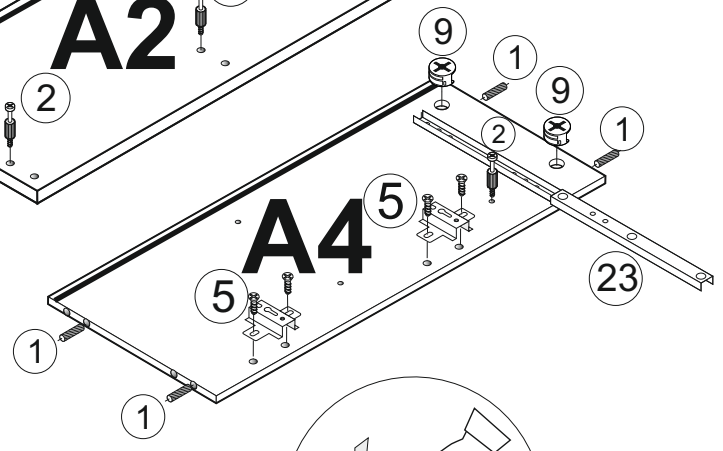
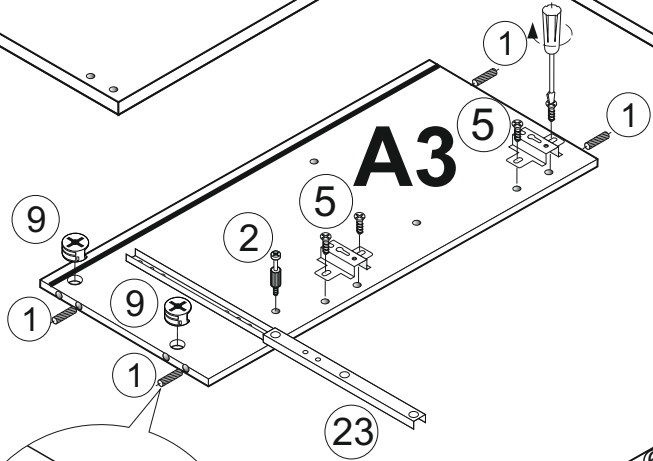
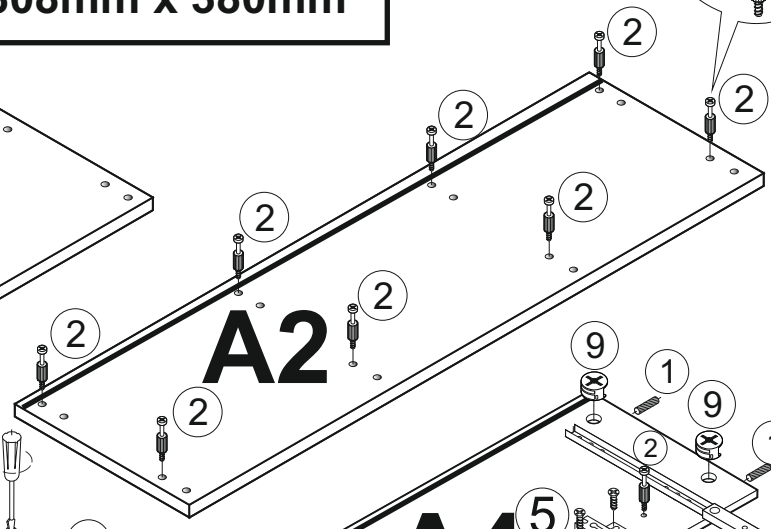
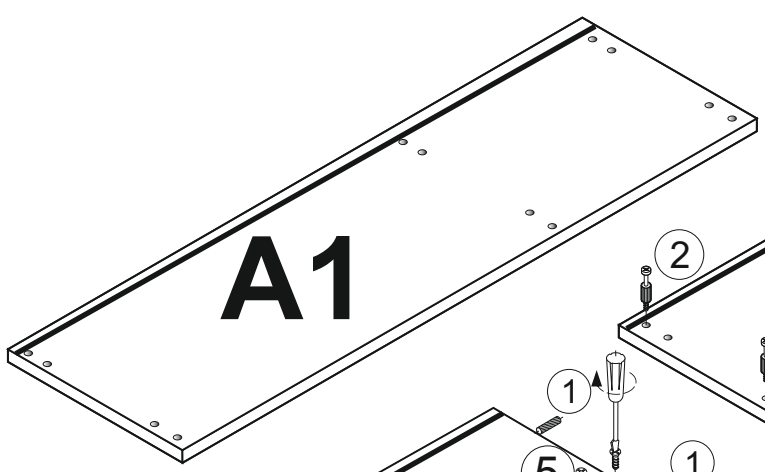
| | | |
|----|---|-------------|
| 4 |  3.5x30 | <u>X 12</u> |
| 38 |  | <u>X 13</u> |
| 39 |  3x20 | <u>X 35</u> |
| 24 |  | <u>X 6</u> |
| 4A |  4x16 | <u>X 2</u> |
| 23 |  | <u>X 6</u> |

| | | |
|----|---|-------------|
| 35 |  | <u>X 7</u> |
| 41 |  | <u>X 2</u> |
| 26 |  | <u>X 1</u> |
| 6 |  5x11 | <u>X 34</u> |
| 80 |  | <u>X 2</u> |
| 60 |  670 mm | <u>X 1</u> |

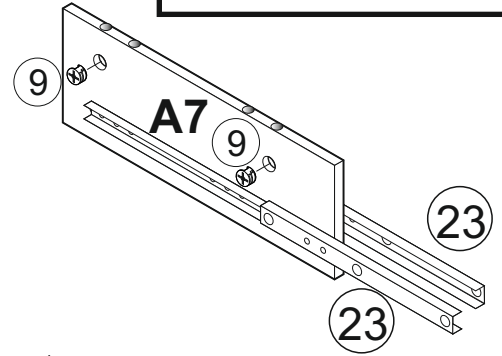
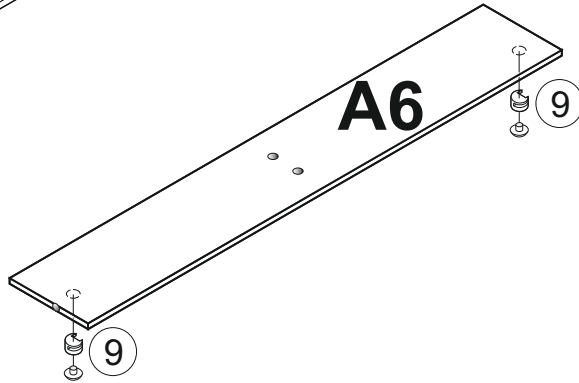
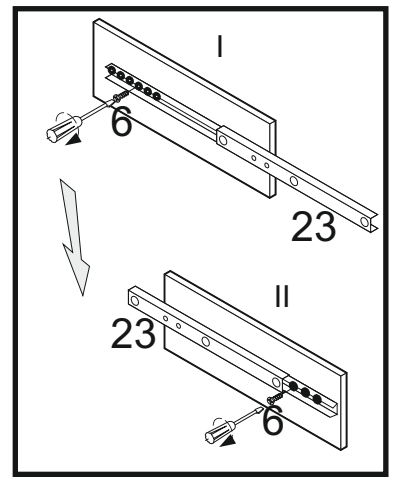
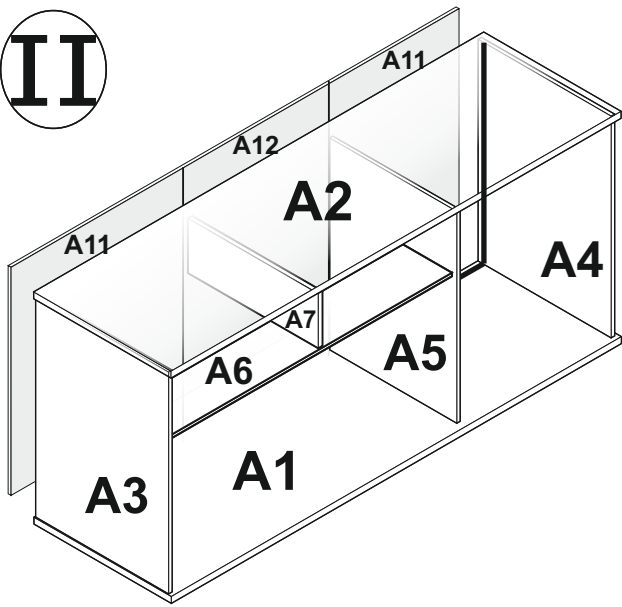
I



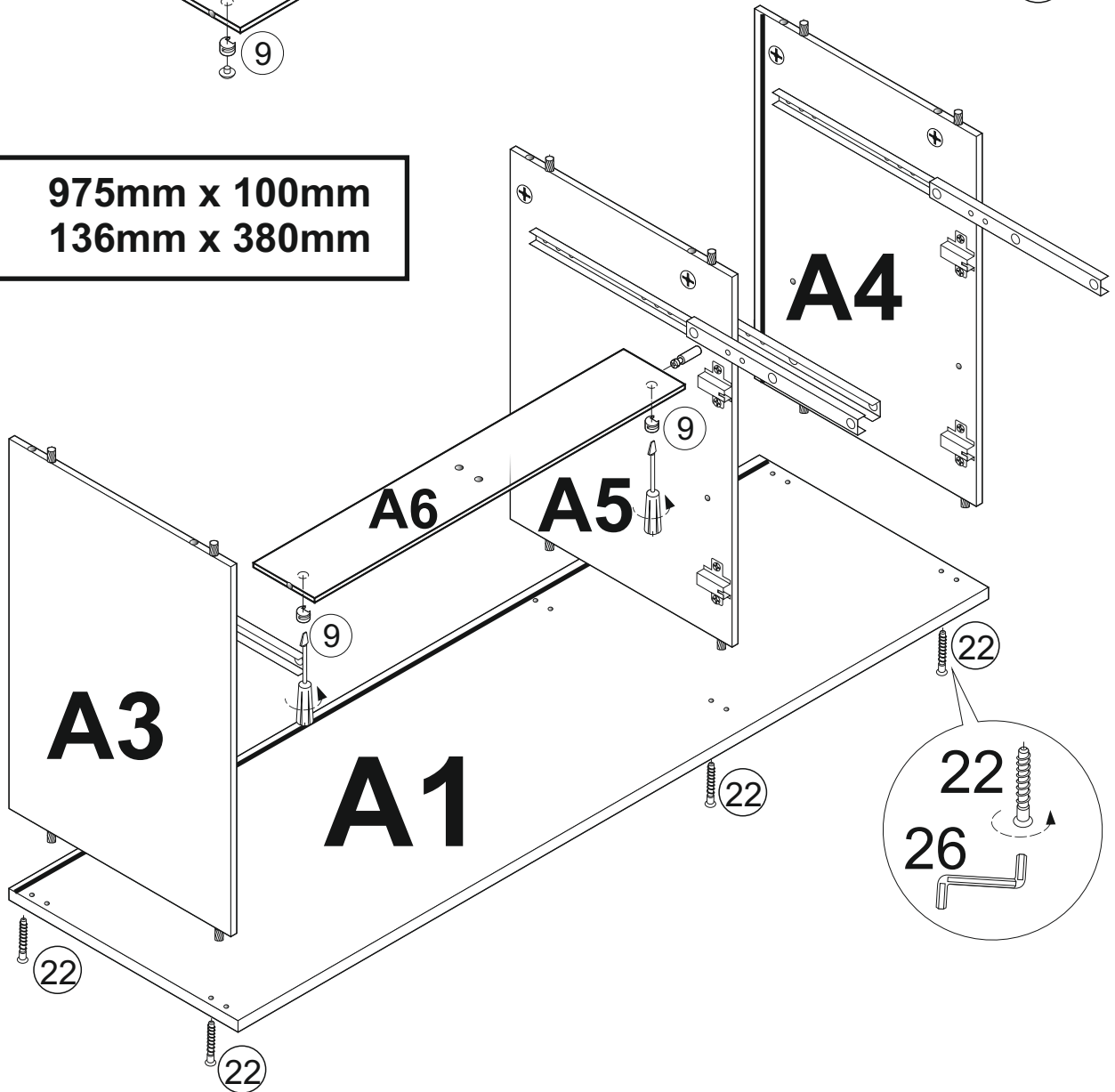
| | |
|-----------|-----------------------|
| A1 | 1501mm x 400mm |
| A2 | 1501mm x 400mm |
| A3 | 808mm x 400mm |
| A4 | 808mm x 400mm |
| A5 | 808mm x 380mm |



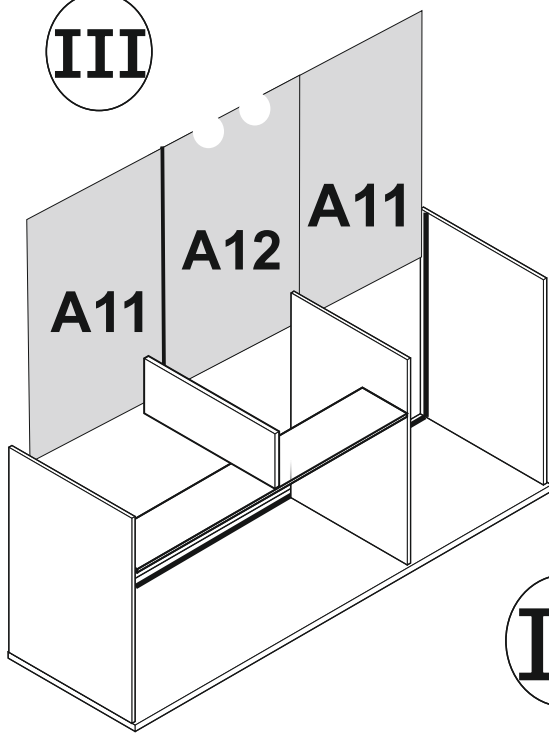
II



| | |
|-----------|----------------------|
| A6 | 975mm x 100mm |
| A7 | 136mm x 380mm |

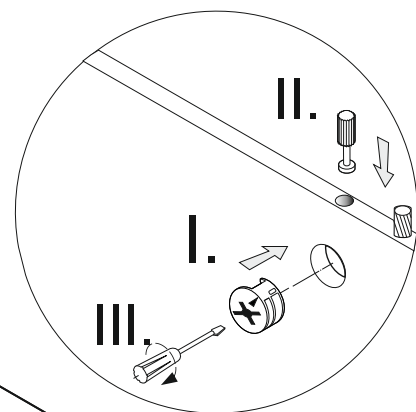
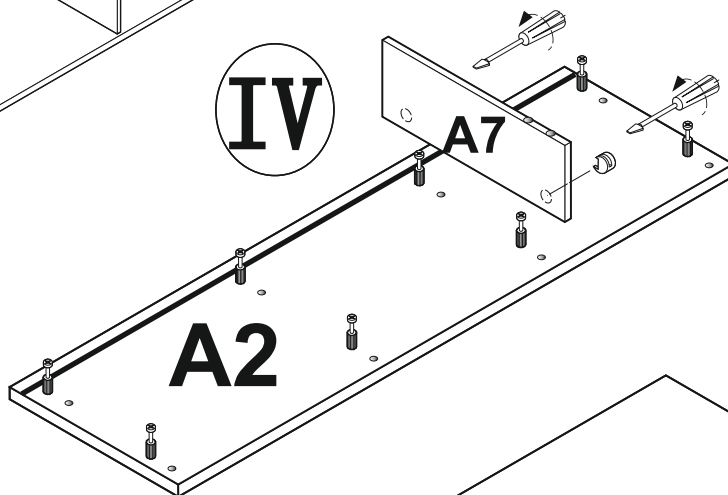


III

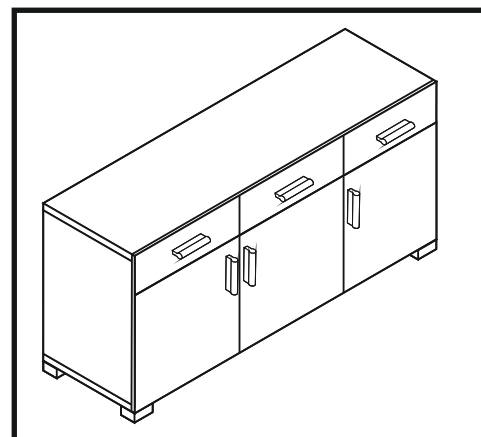
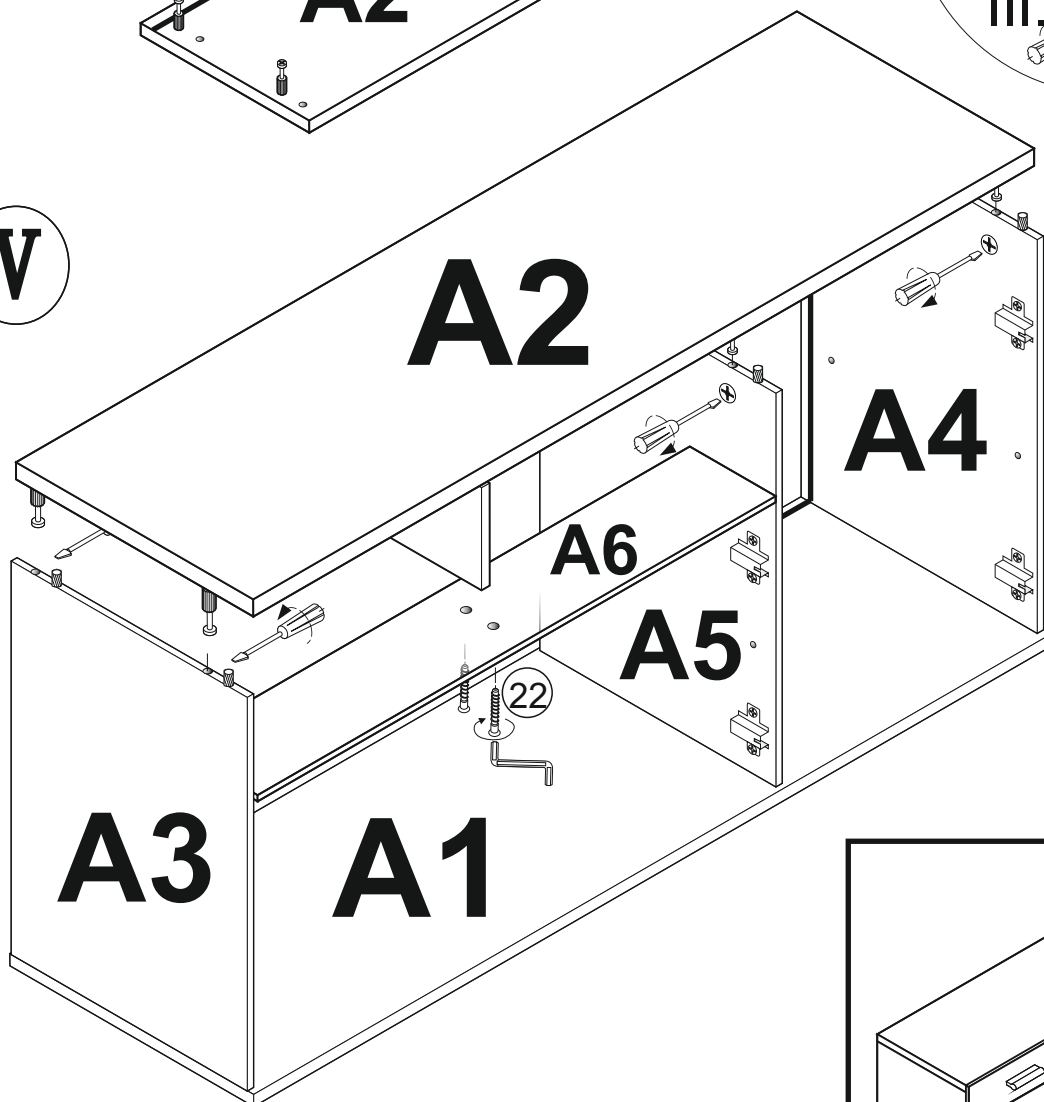


| | |
|-----|---------------|
| A11 | 818mm x 488mm |
| A12 | 818mm x 500mm |

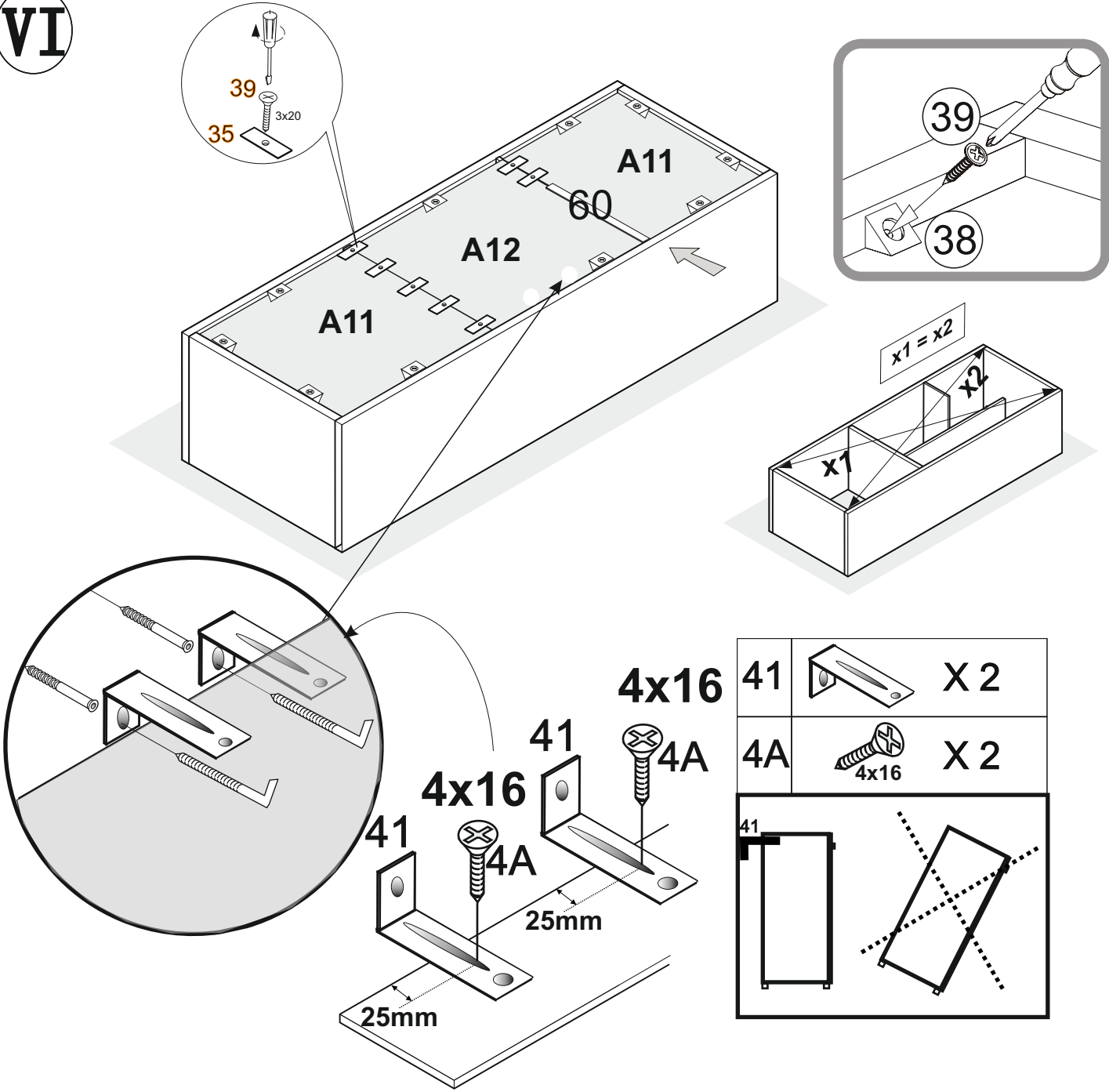
IV



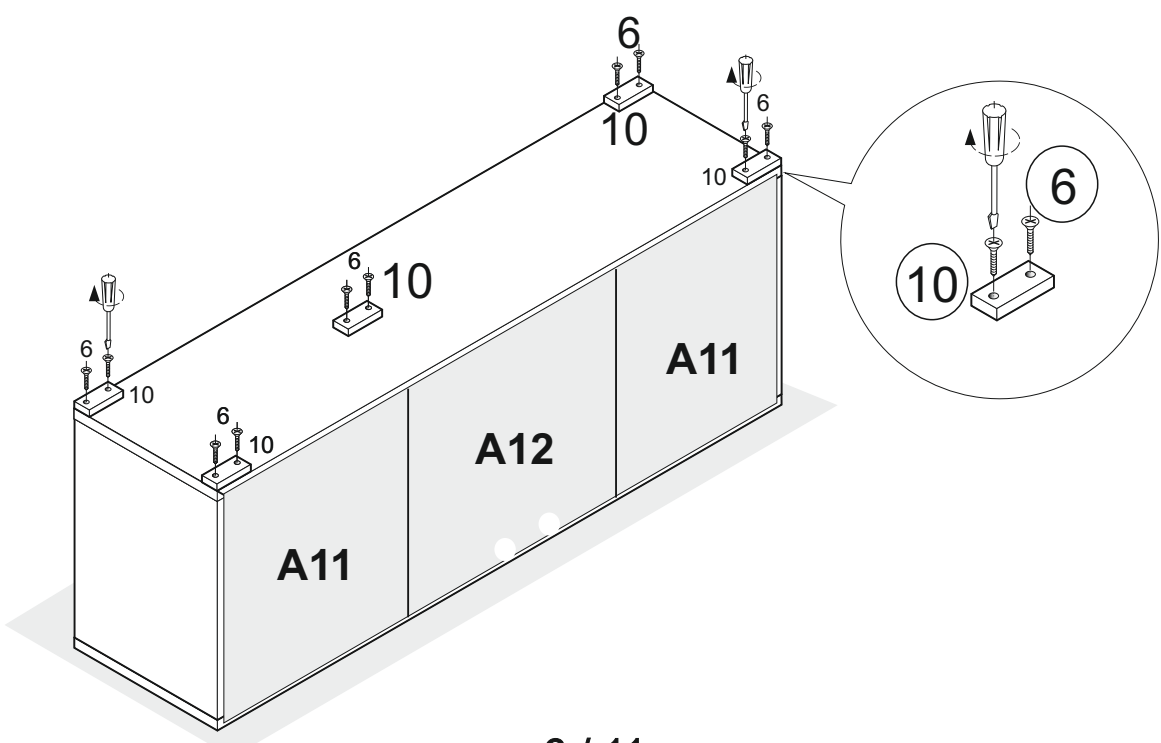
V



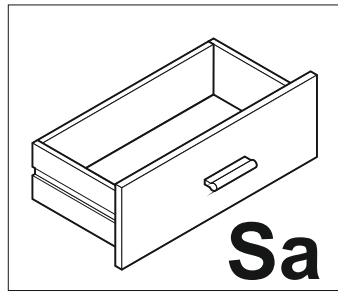
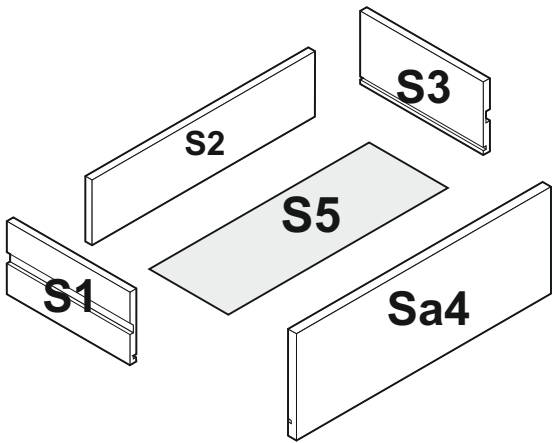
VI



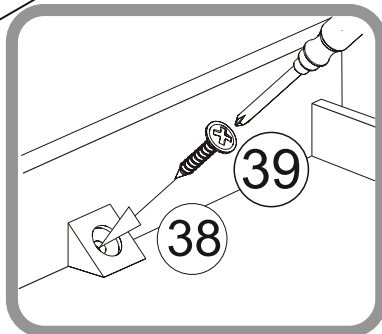
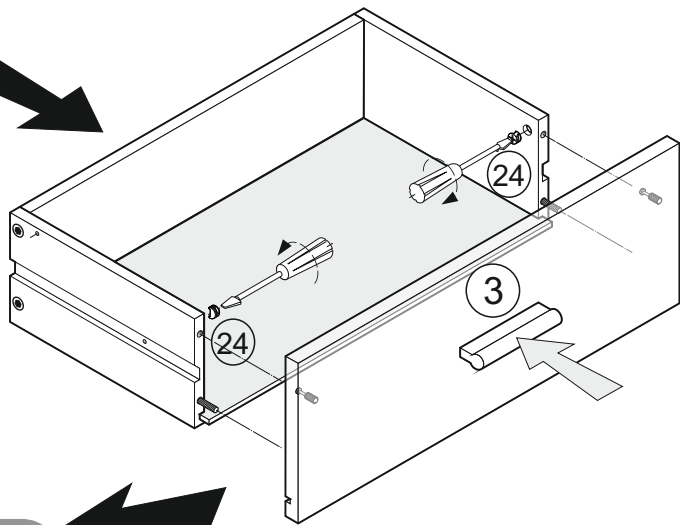
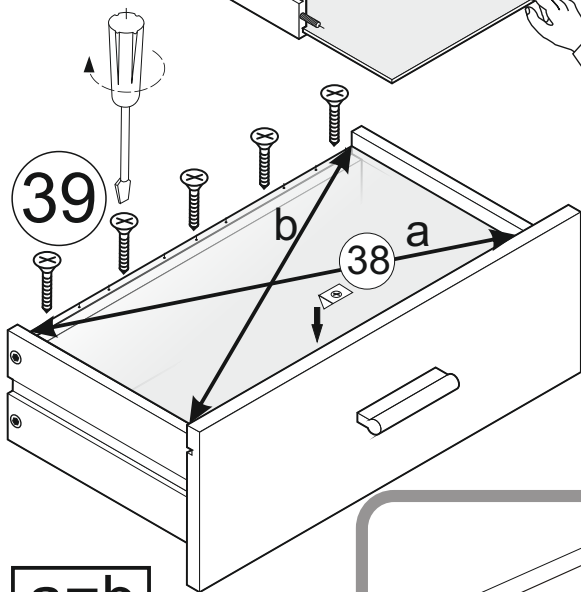
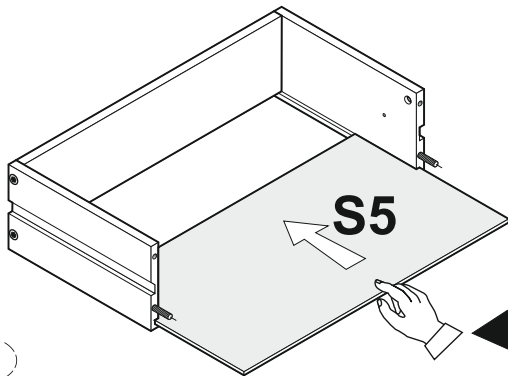
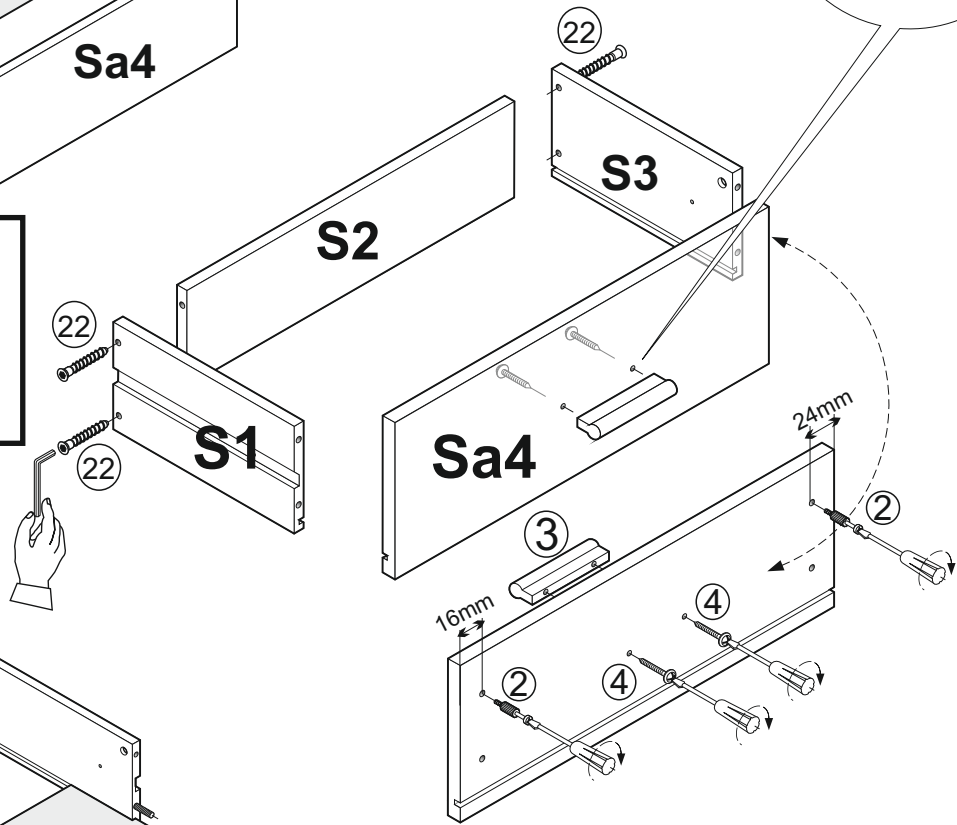
VII



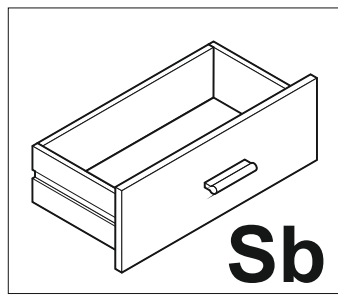
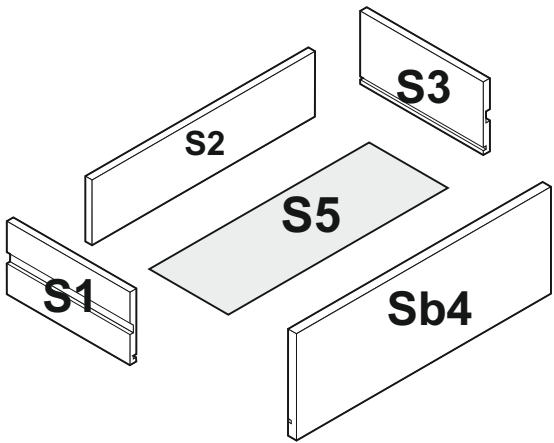
VIII



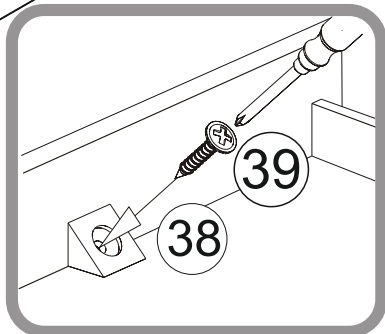
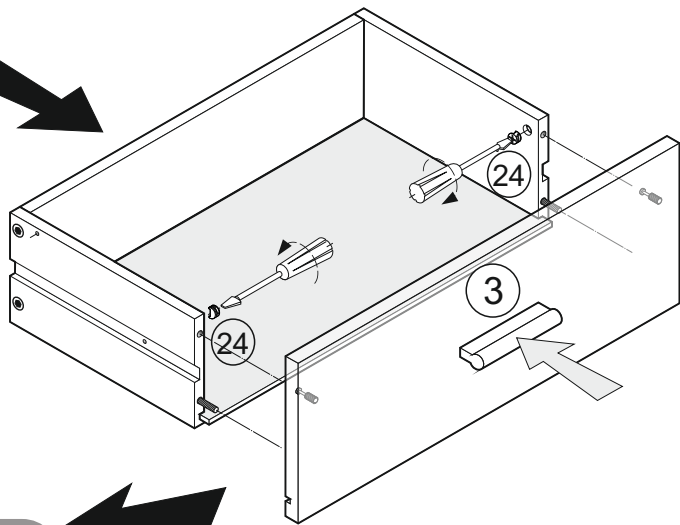
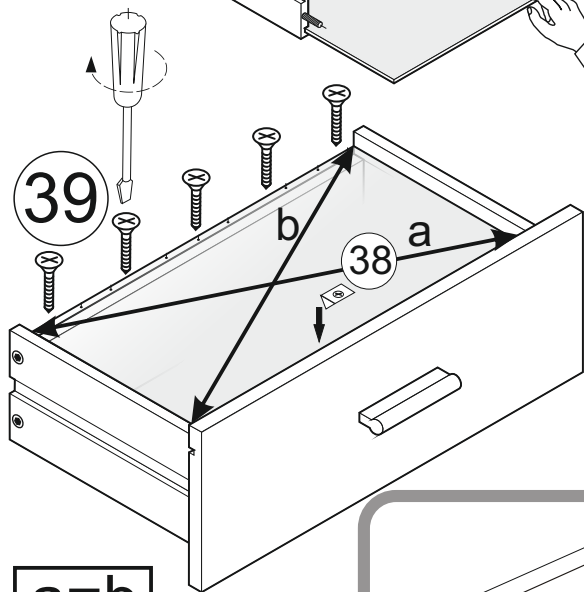
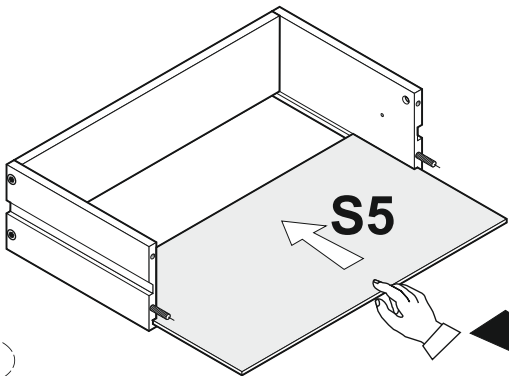
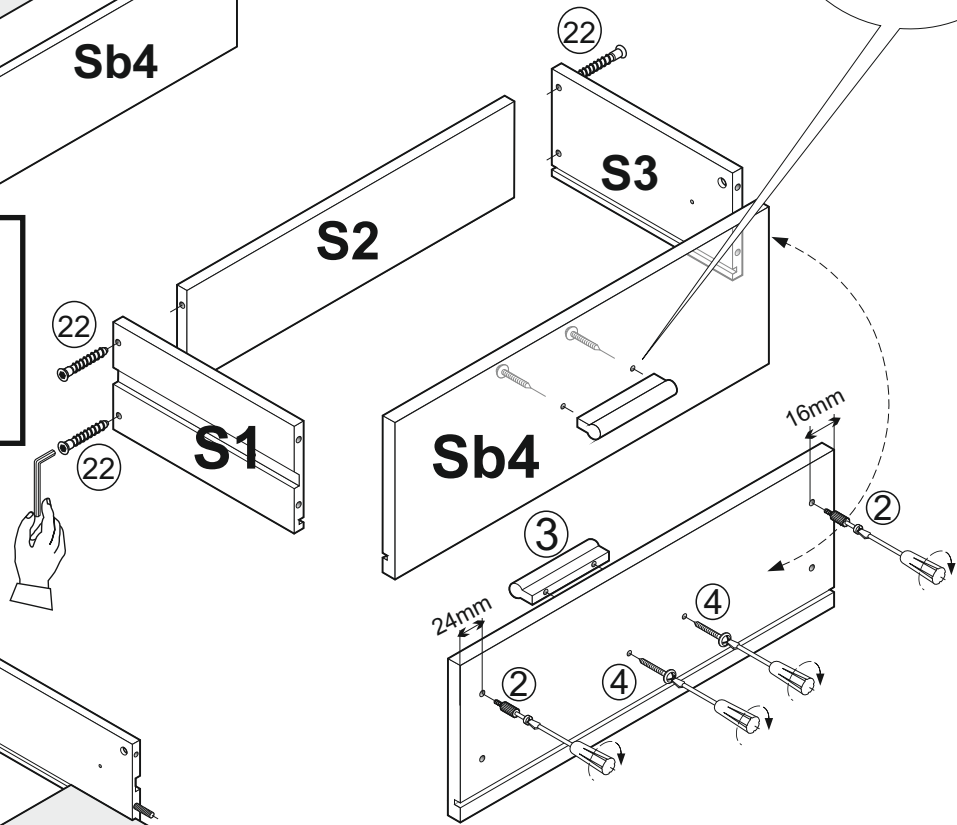
| | |
|-----|---------------|
| Sa4 | 496mm x 156mm |
| S1 | 375mm x 100mm |
| S2 | 443mm x 85mm |
| S3 | 375mm x 100mm |
| S5 | 455mm x 378mm |



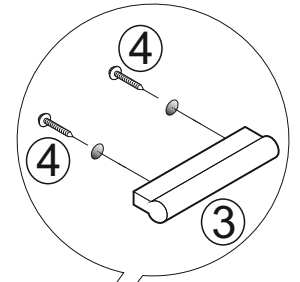
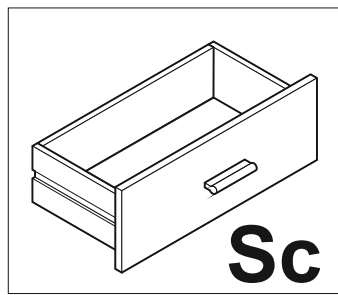
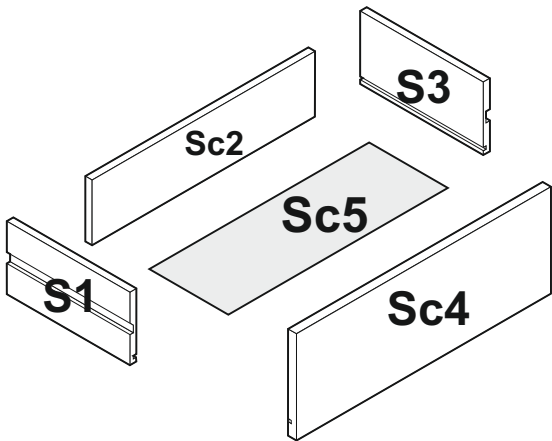
IX



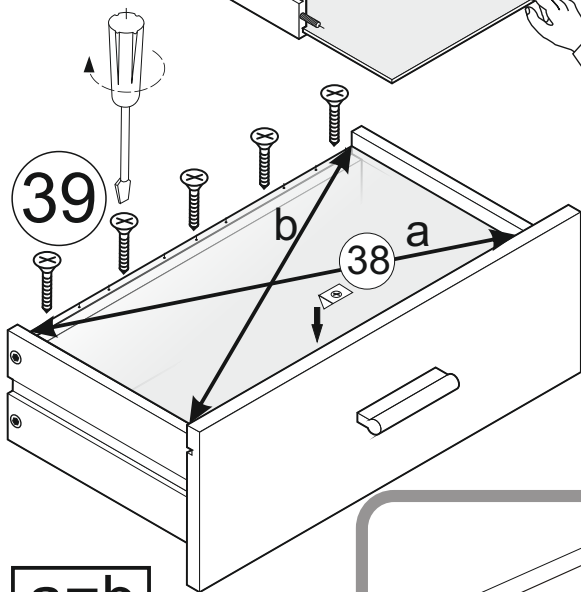
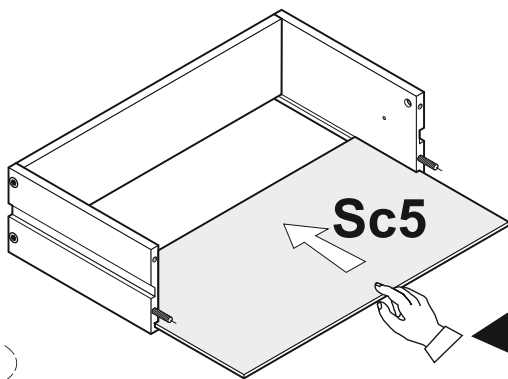
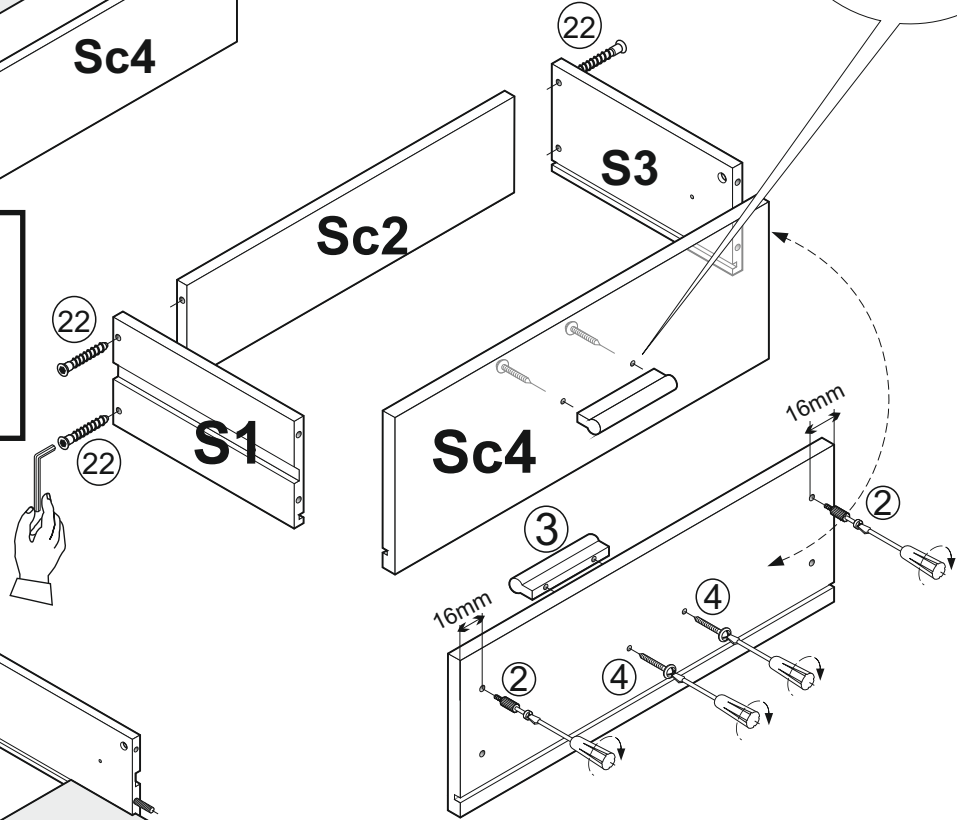
| | |
|-----|---------------|
| Sb4 | 496mm x 156mm |
| S1 | 375mm x 100mm |
| S2 | 443mm x 85mm |
| S3 | 375mm x 100mm |
| S5 | 455mm x 378mm |



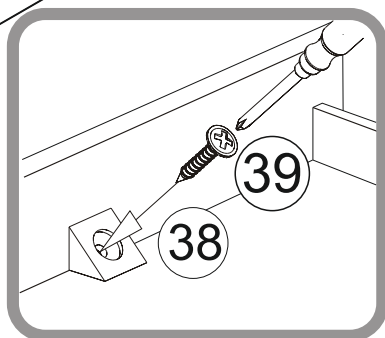
X



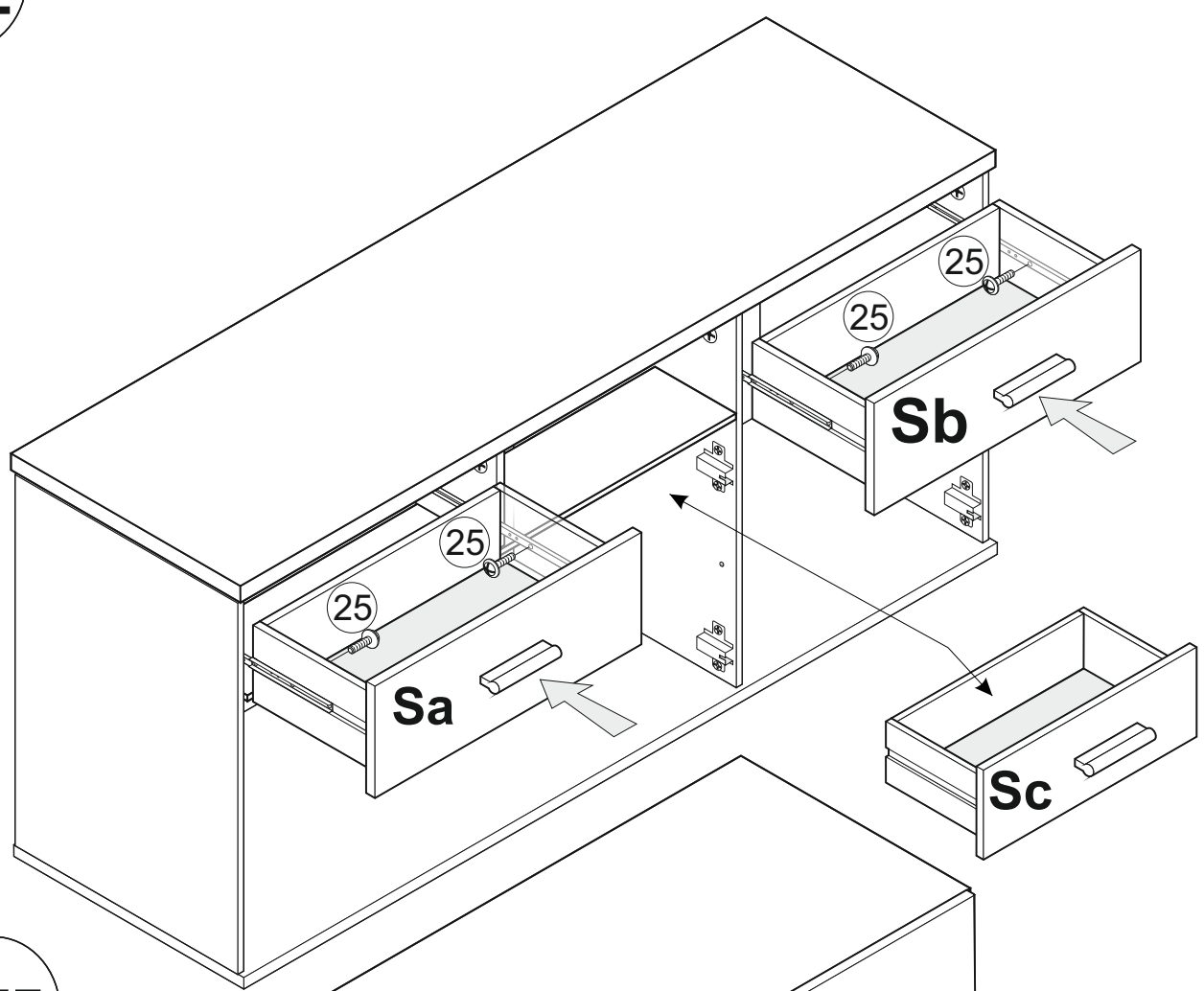
| | |
|-----|---------------|
| Sc4 | 496mm x 156mm |
| S1 | 375mm x 100mm |
| Sc2 | 452mm x 85mm |
| S3 | 375mm x 100mm |
| Sc5 | 464mm x 378mm |



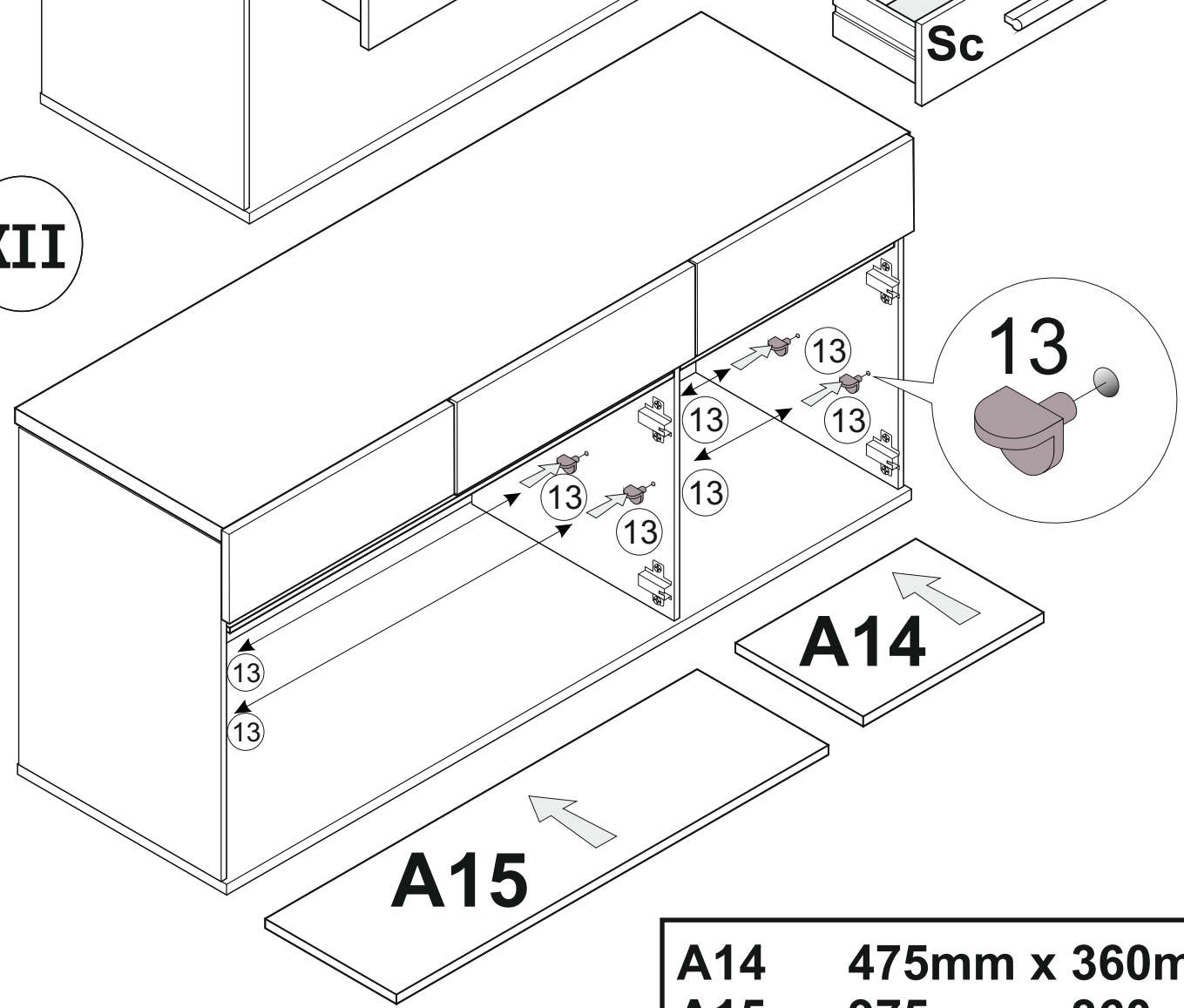
a=b



XI



XII



| | |
|------------|----------------------|
| A14 | 475mm x 360mm |
| A15 | 975mm x 360mm |

XIII

A8 676mm x 496mm
A9 676mm x 496mm

